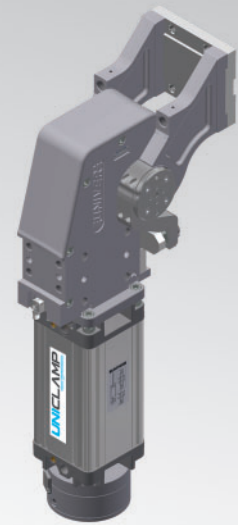


UAGP

UNICLAMP Pneumatic power pivot



U	A	G	P	0	8	0	O	A	0	9	0	B	S	0												
1			2			3			4			5			6			7			8			9		

1 Series	2 Version	3 Size
----------	-----------	--------

UAG = UNICLAMP Power pivot with fixed opening angle

P = Pneumatic

075 = 75Nm Ø80 mm	215 = 210Nm Ø125 mm
080 = 60Nm Ø80 mm	300 = 300Nm Ø160 mm
120 = 110Nm Ø100 mm	350 = 350Nm Ø160 mm
150 = 120Nm Ø100 mm	355 = 350Nm Ø160 mm
155 = 120Nm Ø100 mm	600 = 600Nm Ø200 mm
170 = 170Nm Ø125 mm	605 = 600Nm Ø200 mm
210 = 210Nm Ø125 mm	

4 Table position	5 Sensor	6 Pivot rotation angles
------------------	----------	-------------------------

V = Vertical 180°
O = Horizontal 90°
Z = Vertical, mirror of V position
P = Horizontal, mirror of O position (Max opening angle 60°)

K = Electronic sensor PNP (optical) (DF-K)
A = PNP Electronic Sensor (optic) for opening angle (DF-K) + brake sensor (DF-U)

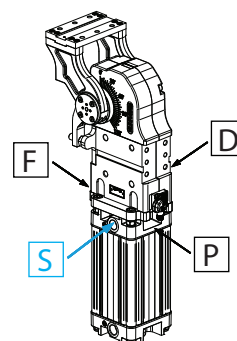
120 = 120°
090 = 90°
060 = 60°
045 = 45°

7 Brake system	8 Connections	9 Product revision
----------------	---------------	--------------------

B = With brake
W = Without brake
M = With brake and manual unlock

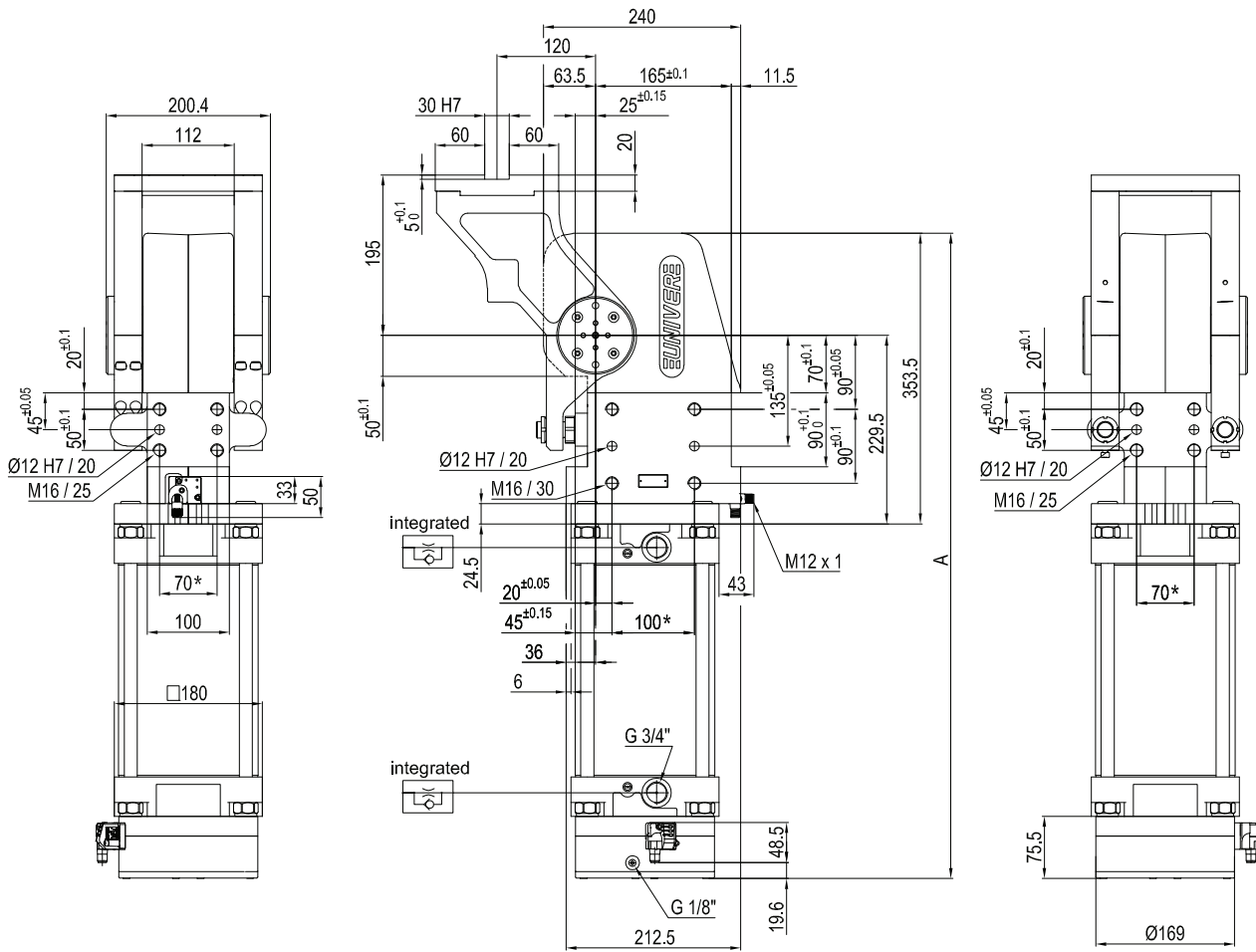
S = Left side
D = Right side
F = Front side
P = Rear side

Assigned by UNIVER

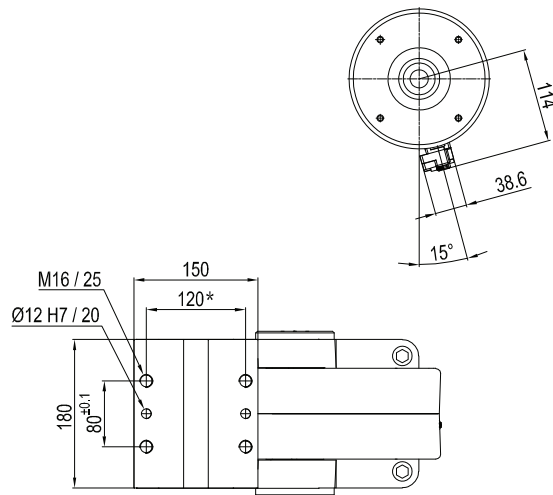


UNIVER S.p.A recommends that all power pivot applications are validated by UNIVER technical department

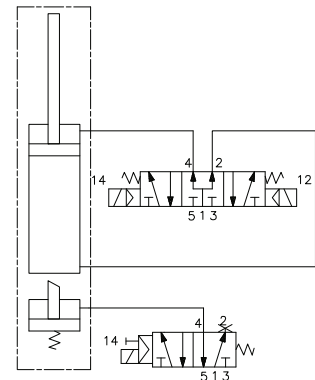
UAGP355OA__BS0



Pivot rotation in degrees	A
45°	691
60°	707
90°	744
120°	784



Passive brake

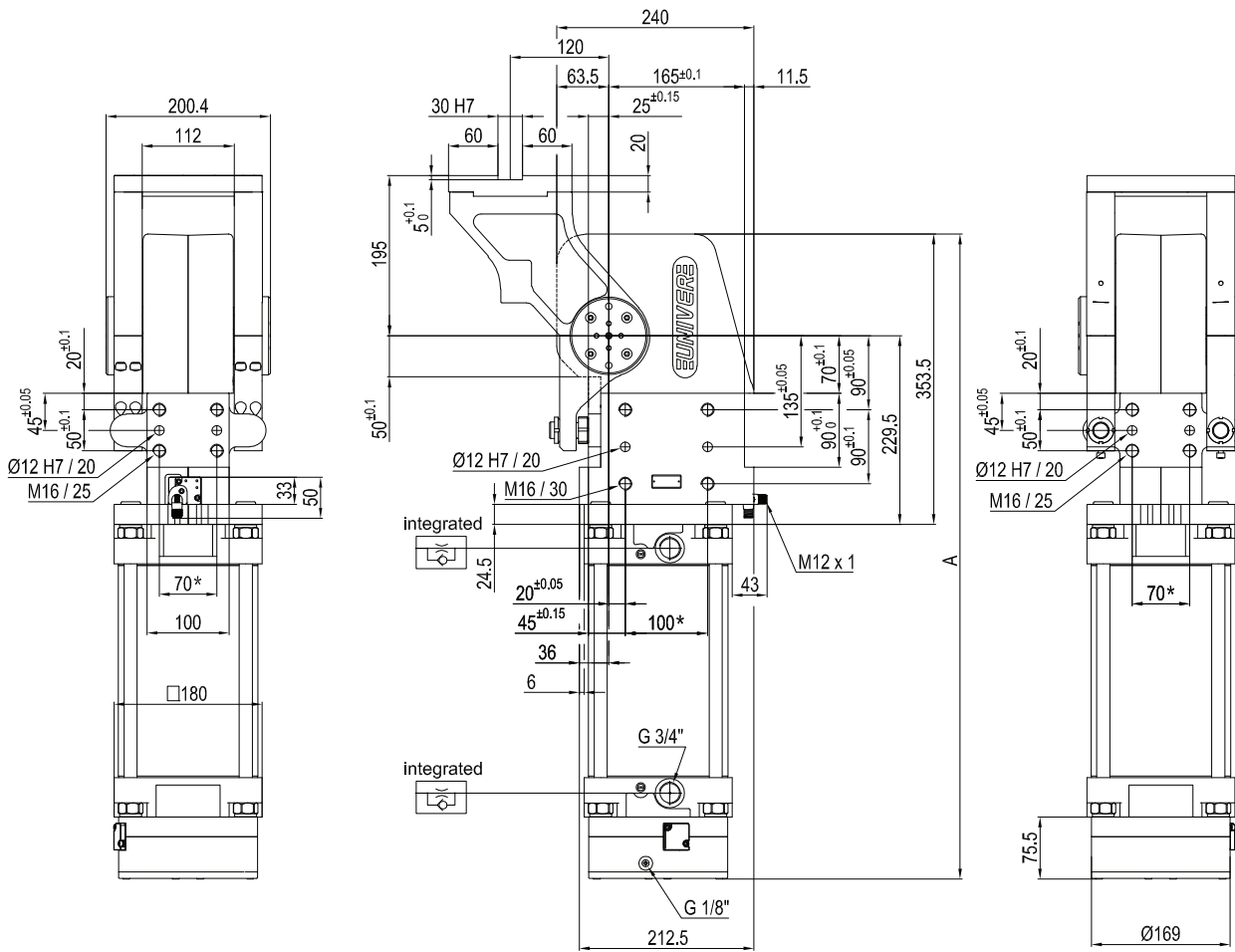


Size	Holding moment	Max. torque at the rotary table 0,55 MPa	Weight
355	8000 Nm	350 Nm	55 Kg

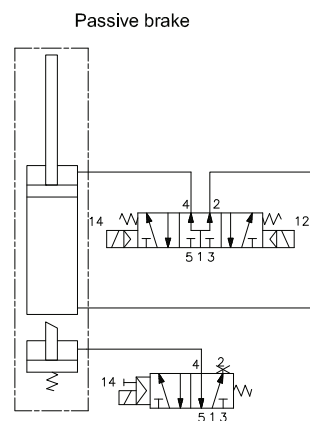
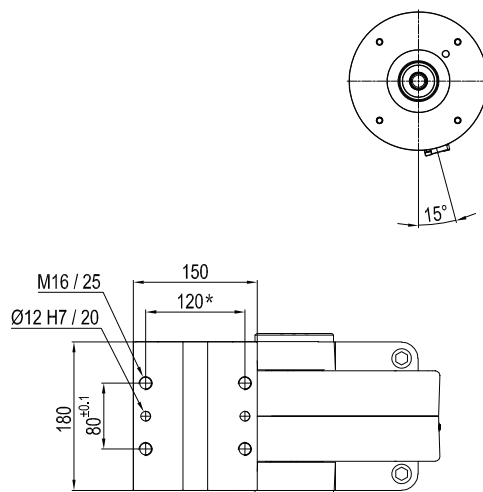
Min./Max. operating pressure: **0,4 / 0,6 MPa**
 Operating temperature: **5° ÷ 45° C**
 Predetermine pivot rotation in degrees: **45°- 60°- 90°- 120°**
 Rotary table position: **Horizontal 90°**
 Electronic sensor with M12 swivel connector, from 0° or 90°, in steps of 10°
 Supply voltage: 10 ÷ 30 Vdc
 IP code: **IP 65**

*: TOLERANCE BETWEEN DOWEL HOLES ± 0,02, BETWEEN SCREW HOLES ± 0,1

Subject to technical modifications without notice

UAGP355OK__BS0


Pivot rotation in degrees	A
45°	691
60°	707
90°	744
120°	784



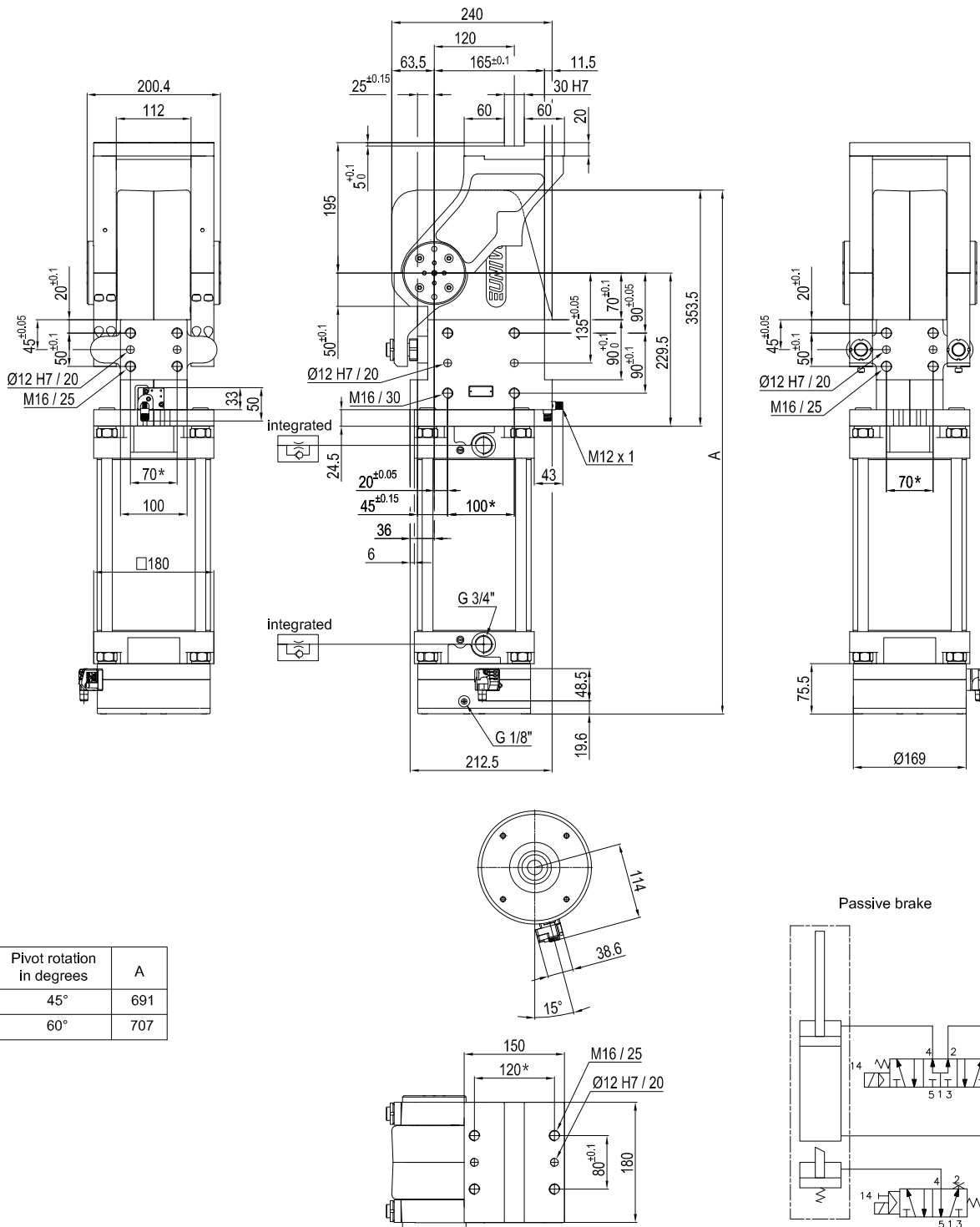
Size	Holding moment	Max. torque at the rotary table 0,55 MPa	Weight
355	8000 Nm	350 Nm	55 Kg

Min./Max. operating pressure: **0,4 / 0,6 MPa**
 Operating temperature: **5° ÷ 45° C**
 Predetermine pivot rotation in degrees: **45°- 60°- 90°- 120°**
 Rotary table position: **Horizontal 90°**
 Electronic sensor with M12 swivel connector, from 0° or 90°, in steps of 10°
 Supply voltage: 10 ÷ 30 Vdc
 IP code: **IP 65**

*: TOLERANCE BETWEEN DOWEL HOLES ± 0,02, BETWEEN SCREW HOLES ± 0,1

Subject to technical modifications without notice

UAGP355PA__BS0



Pivot rotation in degrees	A
45°	691
60°	707

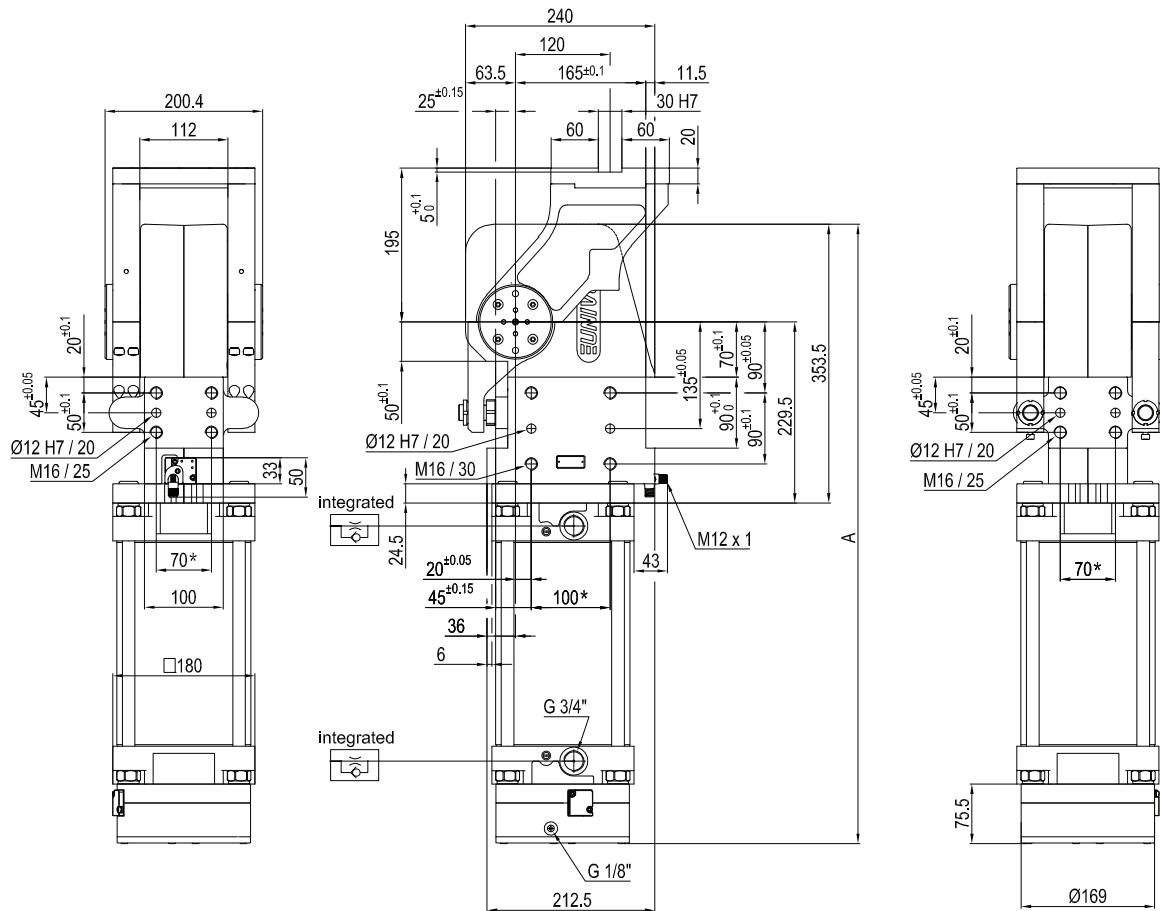
Size	Holding moment	Max. torque at the rotary table 0,55 MPa	Weight
355	8000 Nm	350 Nm	55 Kg

*: TOLERANCE BETWEEN DOWEL HOLES ± 0,02, BETWEEN SCREW HOLES ± 0,1

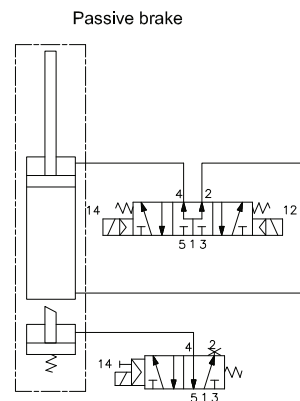
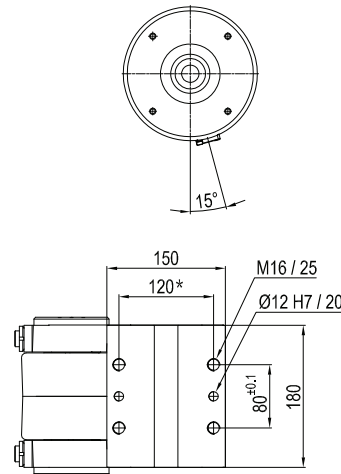
Min./Max. operating pressure: **0,4 / 0,6 MPa**
 Operating temperature: **5° ÷ 45° C**
 Predetermine pivot rotation in degrees: **45° - 60°**
 Rotary table position: **Horizontal mirror of O**
 Electronic sensor with M12 swivel connector, from 0° or 90°, in steps of 10°
 Supply voltage: 10 ÷ 30 Vdc
 IP code: **IP 65**

Subject to technical modifications without notice

UAGP355PK__BS0



Pivot rotation in degrees	A
45°	691
60°	707



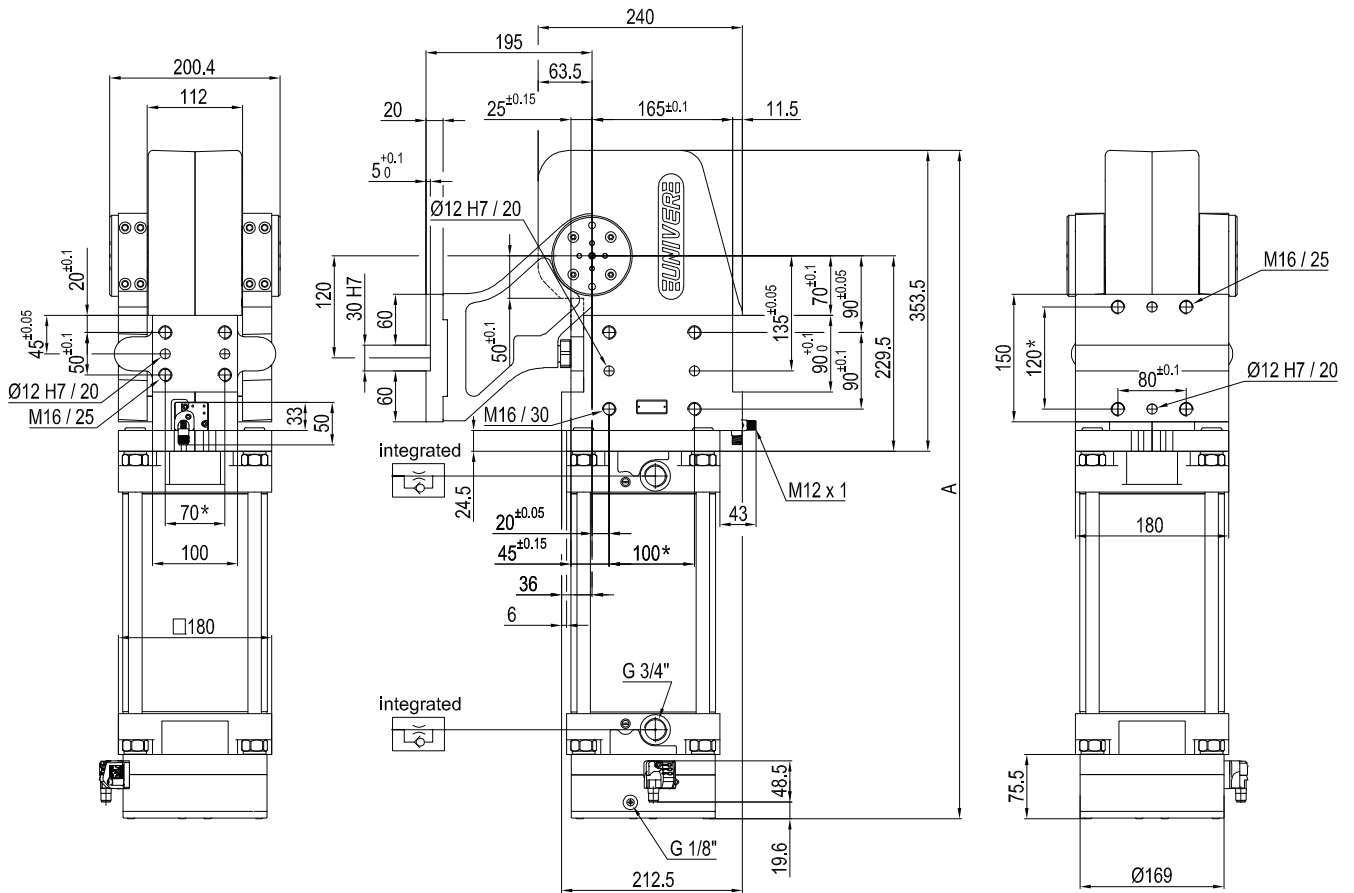
Size	Holding moment	Max. torque at the rotary table 0,55 MPa	Weight
355	8000 Nm	350 Nm	55 Kg

Min./Max. operating pressure: **0,4 / 0,6 MPa**
 Operating temperature: **5° ÷ 45° C**
 Predetermine pivot rotation in degrees: **45°- 60°**
 Rotary table position: **Horizontal mirror of O**
 Electronic sensor with M12 swivel connector, from 0° or 90°, in steps of 10°
 Supply voltage: 10 ÷ 30 Vdc
 IP code: **IP 65**

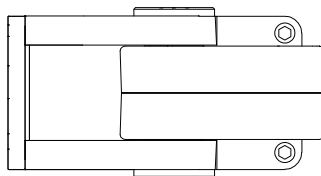
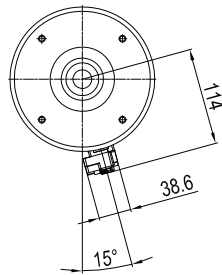
*: TOLERANCE BETWEEN DOWEL HOLES ± 0,02, BETWEEN SCREW HOLES ± 0,1

Subject to technical modifications without notice

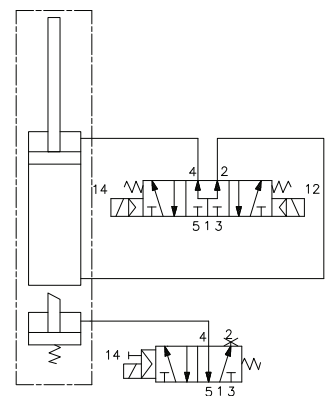
UAGP355VA__BS0



Pivot rotation in degrees	A
45°	691
60°	707
90°	744
120°	784



Passive brake

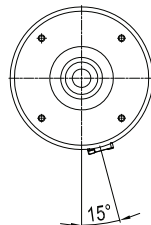
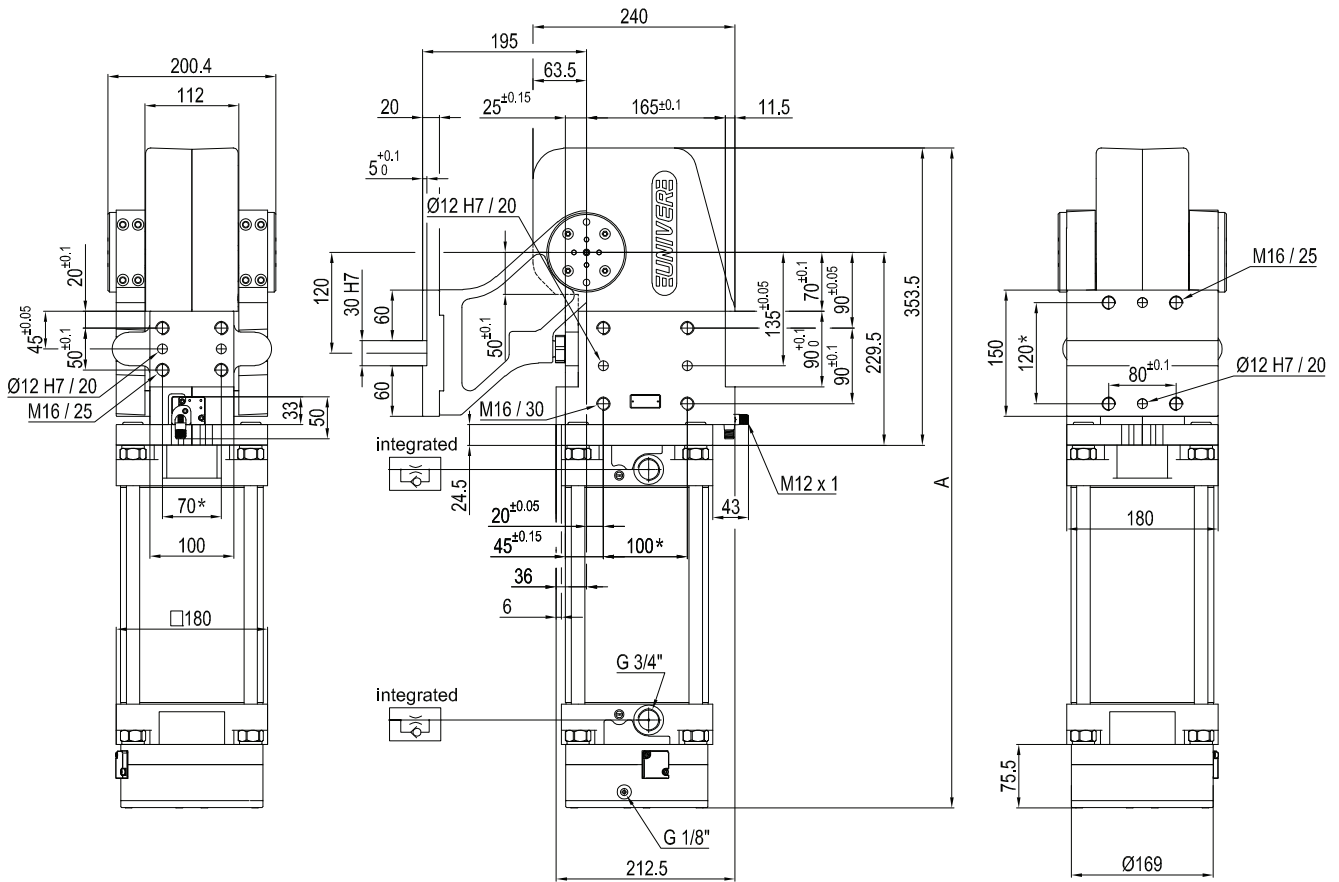


Size	Holding moment	Max. torque at the rotary table 0,55 MPa	Weight
355	8000 Nm	350 Nm	55 Kg

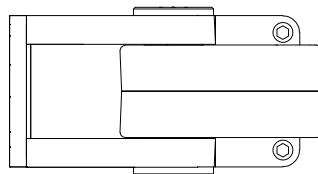
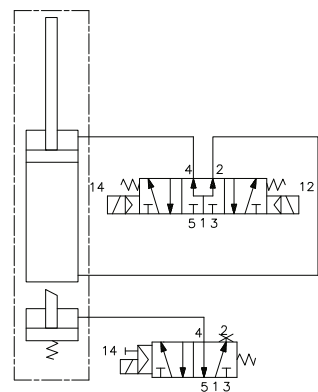
Min./Max. operating pressure: **0,4 / 0,6 MPa**
 Operating temperature: **5° ÷ 45° C**
 Predetermine pivot rotation in degrees: **45°- 60°- 90°-120°**
 Rotary table position: **Vertical 180°**
 Electronic sensor with M12 swivel connector, from 0° or 90°, in steps of 10°
 Supply voltage: 10 ÷ 30 Vdc
 IP code: **IP 65**

*: TOLERANCE BETWEEN DOWEL HOLES ± 0,02, BETWEEN SCREW HOLES ± 0,1

Subject to technical modifications without notice

UAGP355VK__BS0


Pivot rotation in degrees	A
45°	691
60°	707
90°	744
120°	784

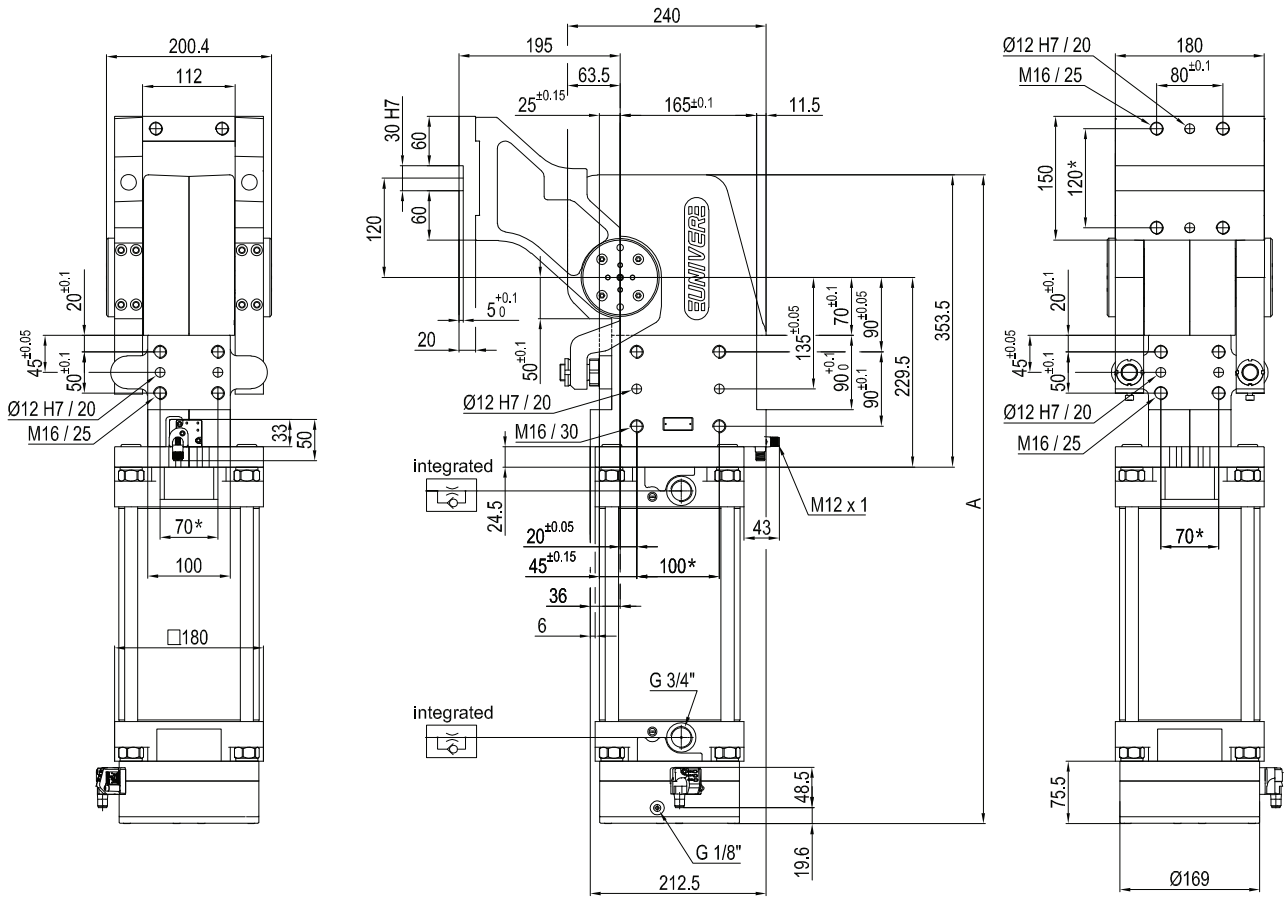

Passive brake


Size	Holding moment	Max. torque at the rotary table 0,55 MPa	Weight
355	8000 Nm	350 Nm	55 Kg

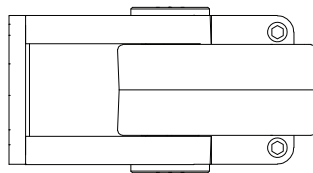
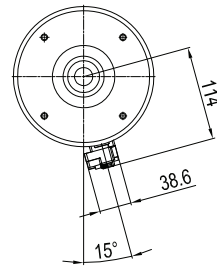
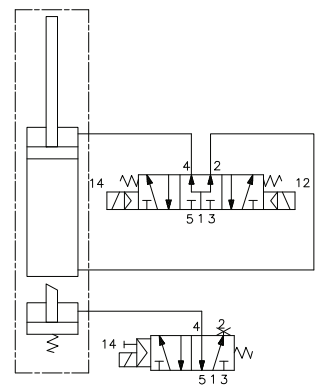
Min./Max. operating pressure: **0,4 / 0,6 MPa**
 Operating temperature: **5° ÷ 45° C**
 Predetermine pivot rotation in degrees: **45°- 60°- 90°- 120°**
 Rotary table position: **Vertical 180°**
 Electronic sensor with M12 swivel connector, from 0° or 90°, in steps of 10°
 Supply voltage: 10 ÷ 30 Vdc
 IP code: **IP 65**

*: TOLERANCE BETWEEN DOWEL HOLES ± 0,02, BETWEEN SCREW HOLES ± 0,1

Subject to technical modifications without notice

UAGP355ZA__BS0


Pivot rotation in degrees	A
45°	691
60°	707
90°	744
120°	784


Passive brake


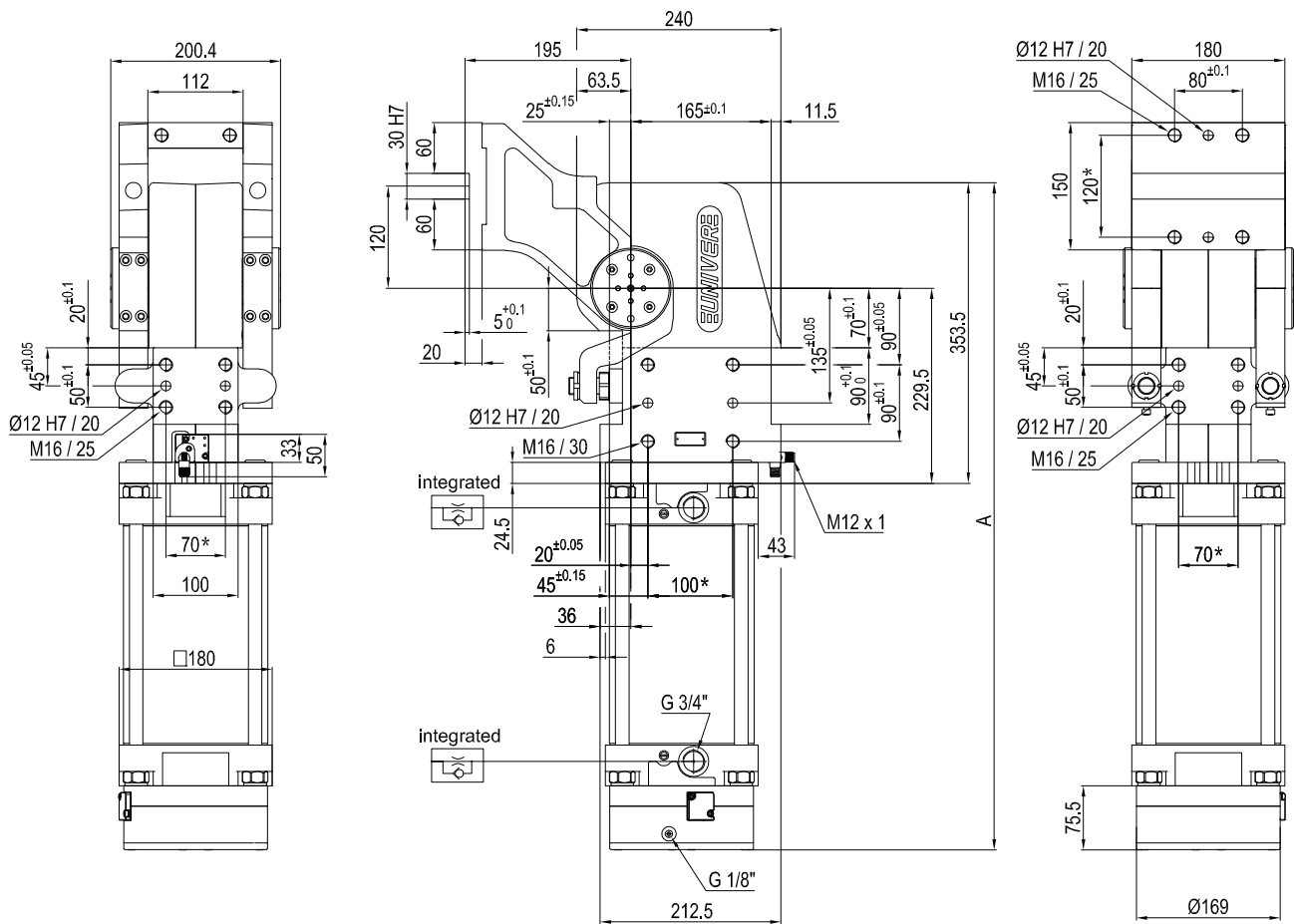
Size	Holding moment	Max. torque at the rotary table 0,55 MPa	Weight
355	8000 Nm	350 Nm	55 Kg

Min./Max. operating pressure: **0,4 / 0,6 MPa**
 Operating temperature: **5° ÷ 45° C**
 Predetermine pivot rotation in degrees: **45°- 60°- 90°-120°**
 Rotary table position: **Vertical mirror of V**
 Electronic sensor with M12 swivel connector, from 0° or 90°, in steps of 10°
 Supply voltage: 10 ÷ 30 Vdc
 IP code: **IP 65**

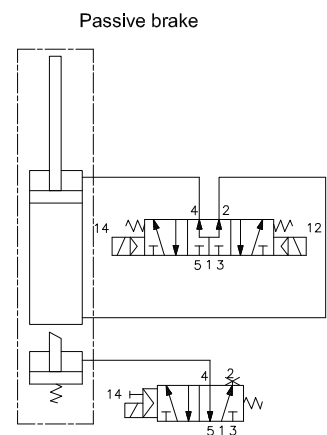
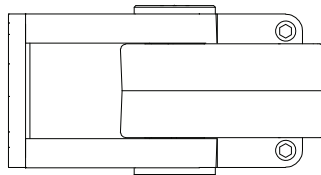
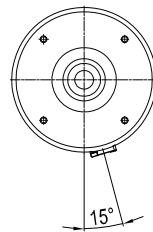
*: TOLERANCE BETWEEN DOWEL HOLES ± 0,02, BETWEEN SCREW HOLES ± 0,1

Subject to technical modifications without notice

UAGP355ZK__BS0



Pivot rotation in degrees	A
45°	691
60°	707
90°	744
120°	784



Size	Holding moment	Max. torque at the rotary table 0,55 MPa	Weight
355	8000 Nm	300 Nm	55 Kg

Min./Max. operating pressure: **0,4 / 0,6 MPa**
 Operating temperature: **5° ÷ 45° C**
 Predetermine pivot rotation in degrees: **45°- 60°- 90°- 120°**
 Rotary table position: **Vertical mirror of V**
 Electronic sensor with M12 swivel connector, from 0° or 90°, in steps of 10°
 Supply voltage: 10 ÷ 30 Vdc
 IP code: **IP 65**

*: TOLERANCE BETWEEN DOWEL HOLES ± 0,02, BETWEEN SCREW HOLES ± 0,1

Subject to technical modifications without notice