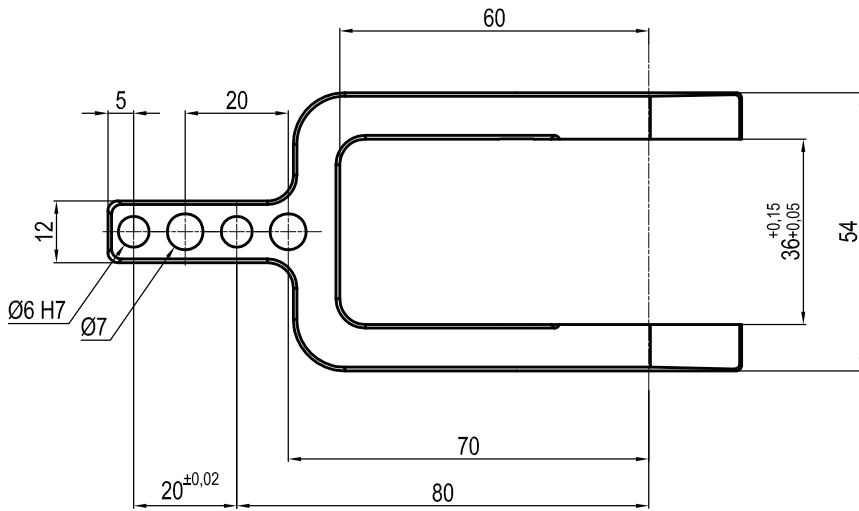
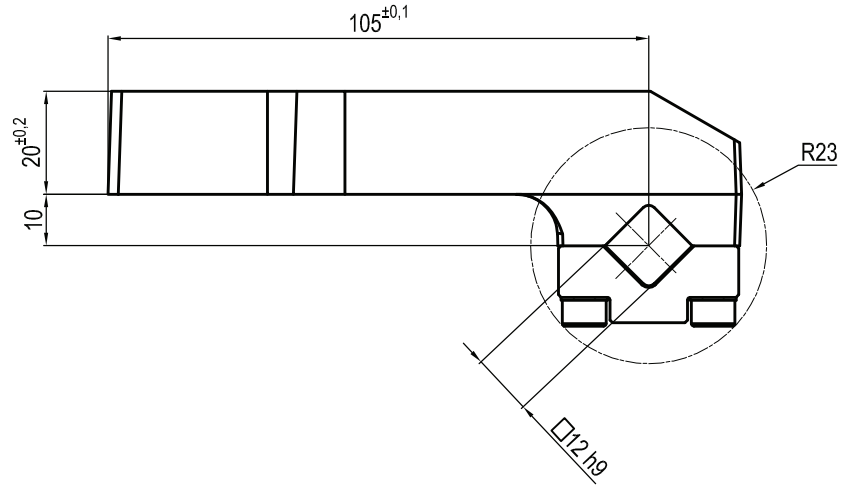


LKP32C

□ 12 mm - offset 10 mm



Clamp size	Material	Weight
32 mm	Aluminium	0,15 Kg

THE CLAMPING ARM INCLUDES THE NECESSARY SCREWS

Subject to technical modifications without notice

Rev. 01 13.01.16