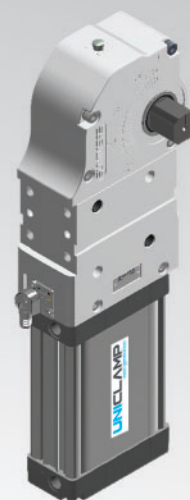


UCNP80

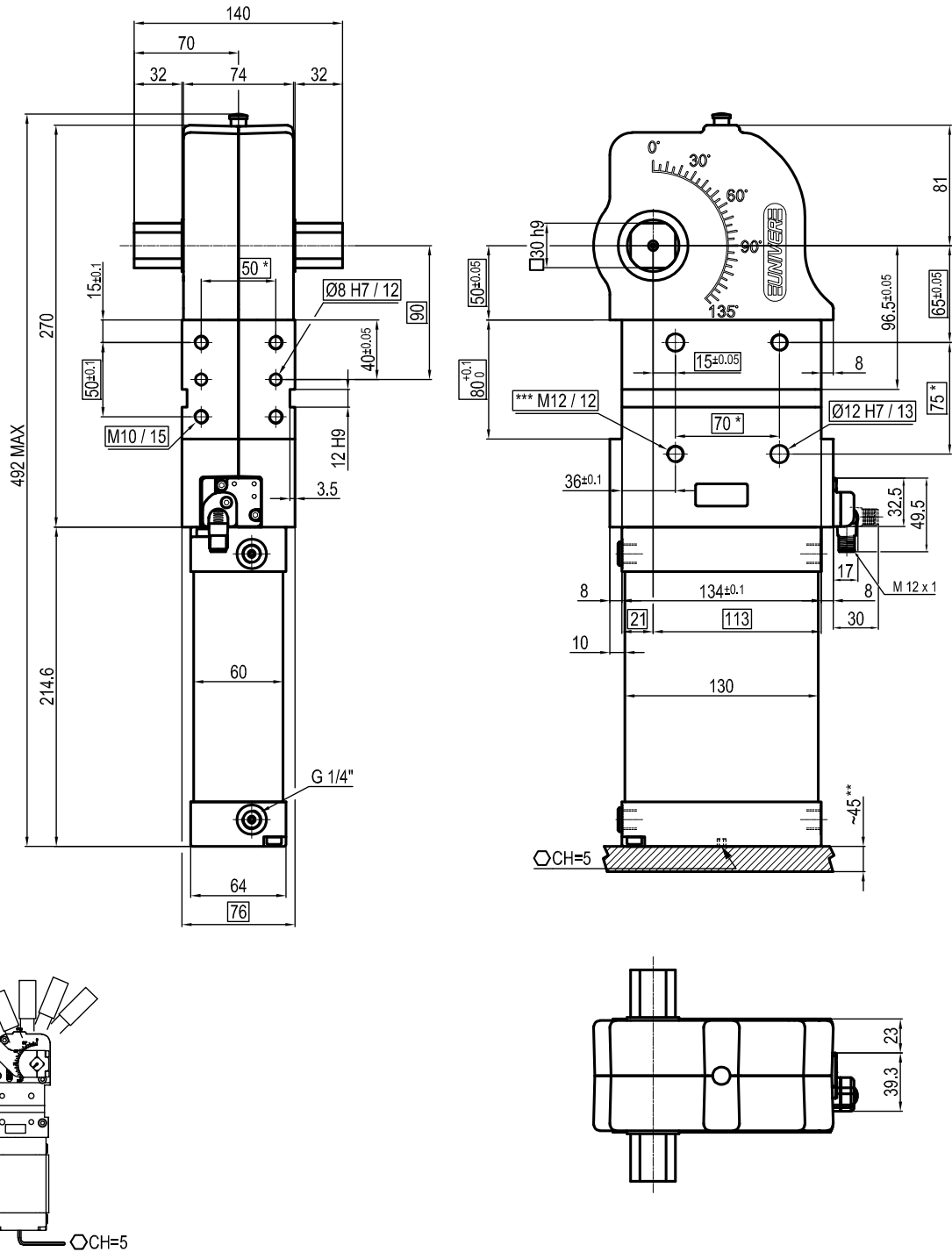
Unità di bloccaggio UNICLAMP
standard NAAMS



U	C	N	P	8	0	N	N	K	G	0
1	2	3		4		5	6	7	8	9



1 Serie	2 Standard	3 Versione
UC = Unità di bloccaggio UNICLAMP con regolazione continua angolo d'apertura da: 0° a 135° max	N = NAAMS Standard	P = Pneumatica
4 Taglia	5 Posizione pressore	6 Uscita albero quadro
80 = Ø 80 mm	N = Senza pressore	R = Solo lato destro L = Solo lato sinistro N = Entrambi i lati
7 Sensor	8 Filetto alimentazioni	9 Revisione prodotto
N = Senza sensore (con piastra di chiusura) K = Sensore elettronico PNP (ottico) (DF-K)	G = Gas N = NPT	Assegnato da UNIVER

UCNP80NNKG0


Bore \varnothing	Holding moment	Clamping moment (0,5 MPa)	Weight (clamping arm not included)
80 mm	4000 Nm	1100 Nm	8,6 Kg

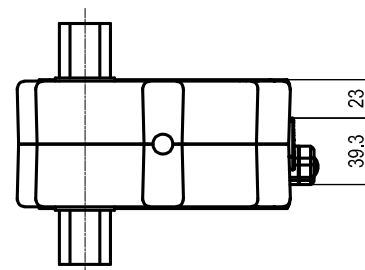
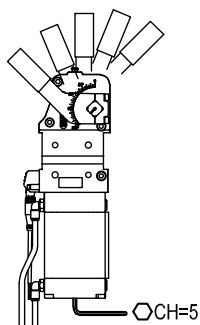
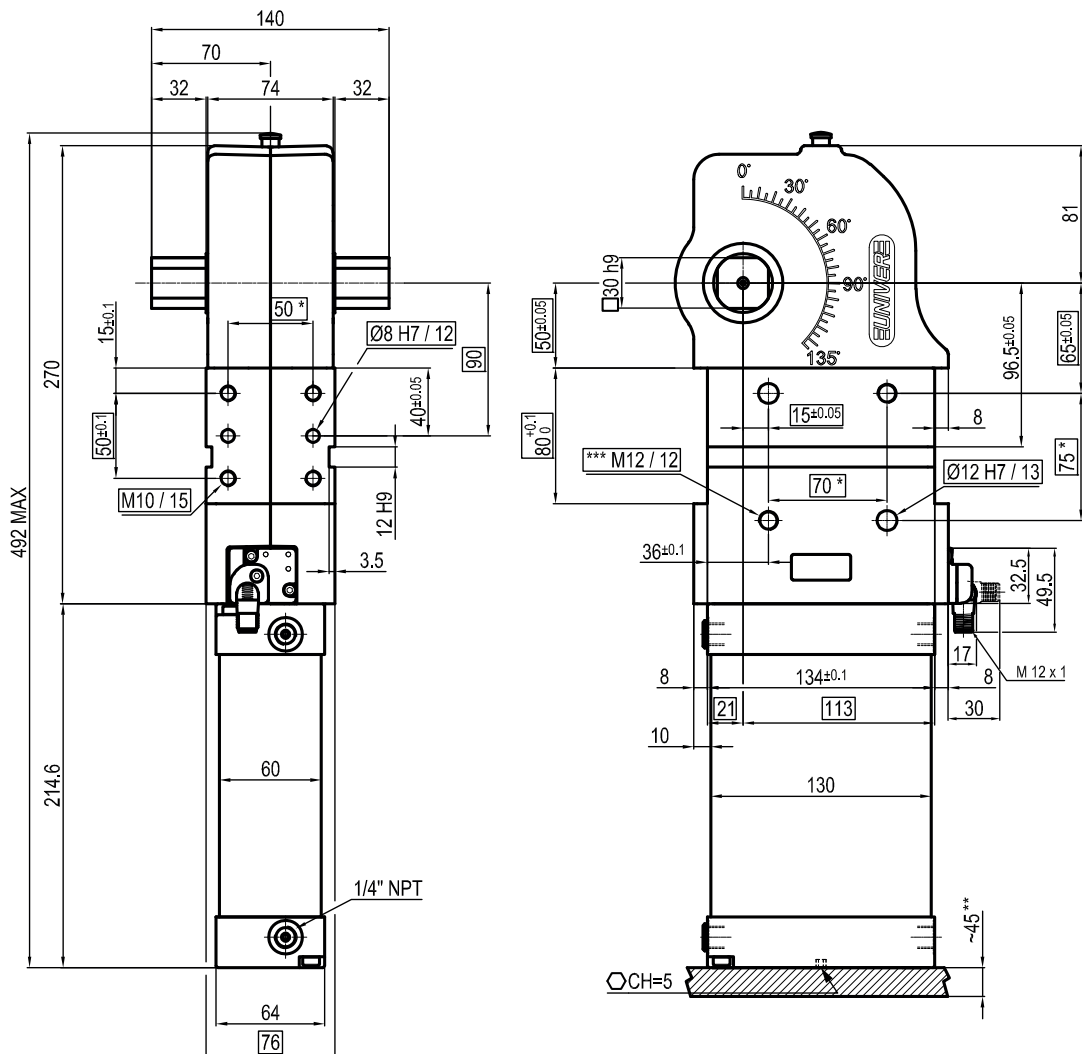
* : TOLERANCE BETWEEN DOWELS $\pm 0,02$, BETWEEN SCREW HOLES $\pm 0,1$
 ** : AREA TO ACCESS ANGLE ADJUSTMENT
 *** : SCREW THREAD INSERT

Min./Max. operating pressure: **0,4 / 0,6 MPa**
 Operating temperature: **5° ÷ 45° C**
 Opening angle: **adjustable**
 Without arm
 Electronic sensor with M12 swivel connector, from 0° to 90°, in steps of 10°
 Supply voltage: 10 ÷ 30 Vdc
 IP code: **IP 65**
 Pneumatic ports on both sides

Subject to technical modifications without notice

Rev. 01 26.01.22

UCNP80NNKNO



Bore Ø	Holding moment	Clamping moment (0,5 MPa)	Weight (clamping arm not included)
80 mm	4000 Nm	1100 Nm	8,6 Kg

Min./Max. operating pressure: **0,4 / 0,6 MPa**

Operating temperature: **5° ÷ 45° C**

Opening angle: **adjustable**

Without arm

Electronic sensor with M12 swivel connector, from 0° to 90°, in steps of 10°

Supply voltage: 10 ÷ 30 Vdc

IP code: **IP 65**

Pneumatic ports on both sides

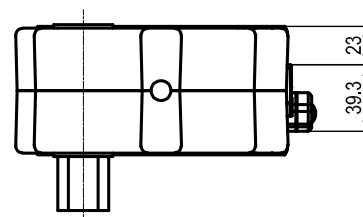
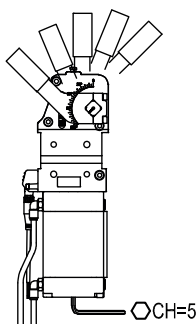
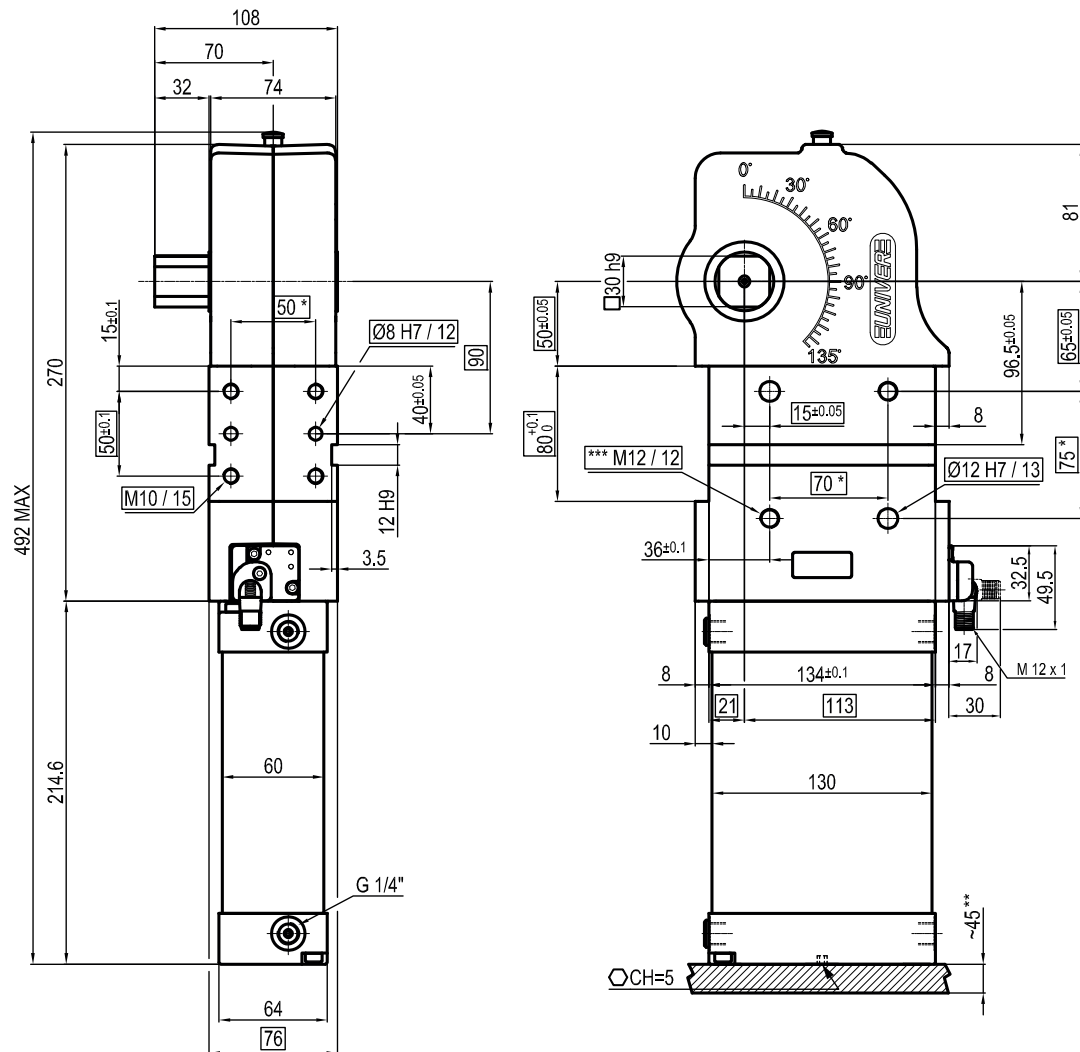
* : TOLERANCE BETWEEN DOWELS ± 0,02, BETWEEN SCREW HOLES ± 0,1

** : AREA TO ACCESS ANGLE ADJUSTMENT

***: SCREW THREAD INSERT

Subject to technical modifications without notice

Rev. 01 26.01.22

UCNP80NLKG0


Bore Ø	Holding moment	Clamping moment (0,5 MPa)	Weight (clamping arm not included)
80 mm	4000 Nm	1100 Nm	8,6 Kg

 Min./Max. operating pressure: **0,4 / 0,6 MPa**

 Operating temperature: **5° ÷ 45° C**

 Opening angle: **adjustable**

Without arm

Electronic sensor with M12 swivel connector, from 0° to 90°, in steps of 10°

Supply voltage: 10 ÷ 30 Vdc

 IP code: **IP 65**

Pneumatic ports on both sides

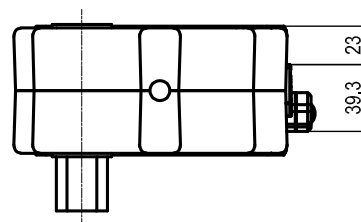
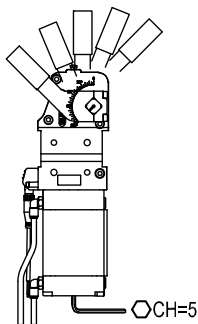
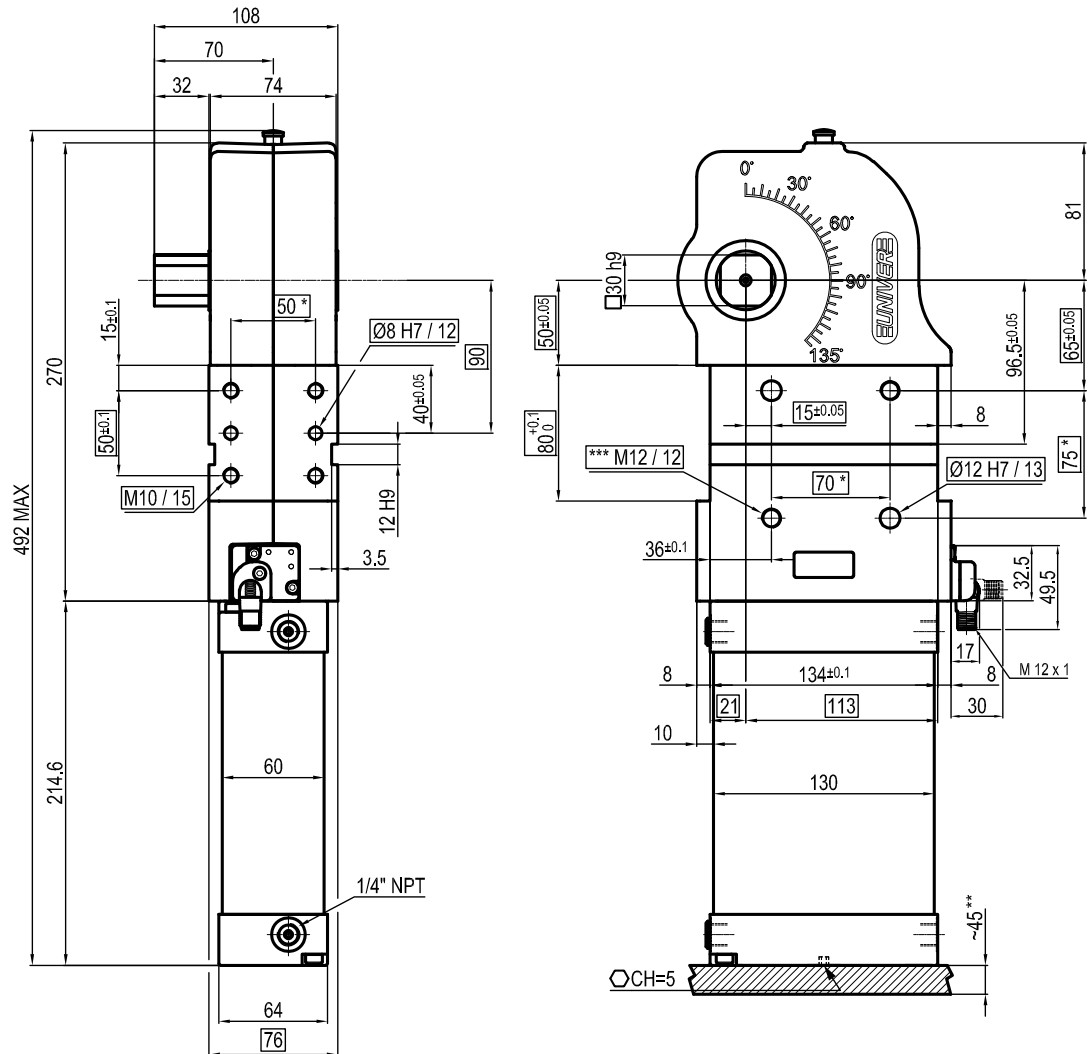
*: TOLERANCE BETWEEN DOWELS ± 0,02, BETWEEN SCREW HOLES ± 0,1

**: AREA TO ACCESS ANGLE ADJUSTMENT

***: SCREW THREAD INSERT

Subject to technical modifications without notice

Rev. 01 26.01.22

UCNP80NLKN0


Bore Ø	Holding moment	Clamping moment (0,5 MPa)	Weight (clamping arm not included)
80 mm	4000 Nm	1100 Nm	8,6 Kg

 Min./Max. operating pressure: **0,4 / 0,6 MPa**

 Operating temperature: **5° ÷ 45° C**

 Opening angle: **adjustable**

Without arm

Electronic sensor with M12 swivel connector, from 0° to 90°, in steps of 10°

Supply voltage: 10 ÷ 30 Vdc

 IP code: **IP 65**

Pneumatic ports on both sides

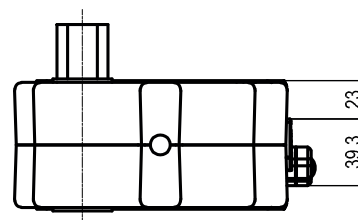
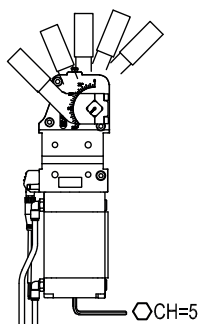
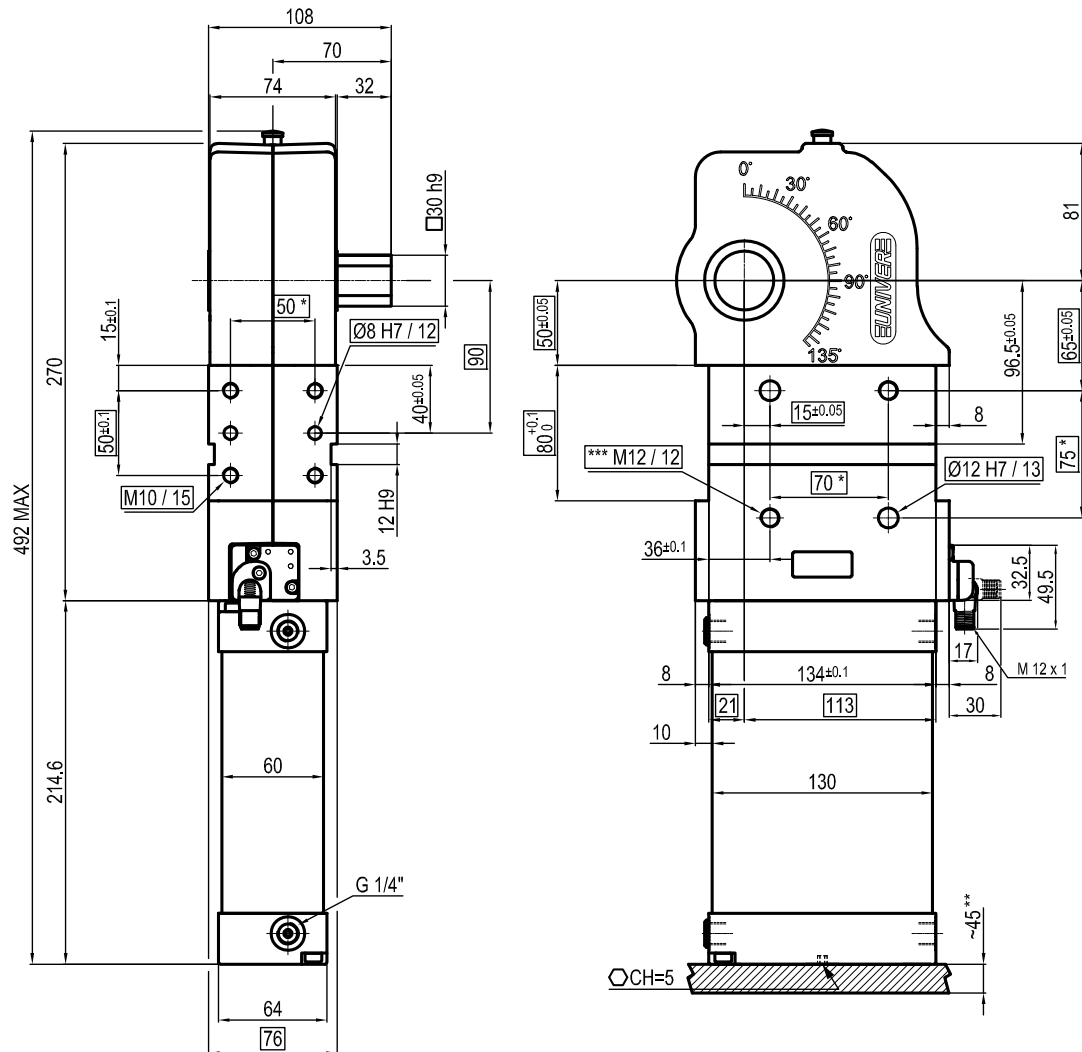
*: TOLERANCE BETWEEN DOWELS ± 0,02, BETWEEN SCREW HOLES ± 0,1

**: AREA TO ACCESS ANGLE ADJUSTMENT

***: SCREW THREAD INSERT

Subject to technical modifications without notice

Rev. 01 26.01.22

UCNP80NRKGO


Bore Ø	Holding moment	Clamping moment (0,5 MPa)	Weight (clamping arm not included)
80 mm	4000 Nm	1100 Nm	8,6 Kg

* : TOLERANCE BETWEEN DOWELS ± 0,02, BETWEEN SCREW HOLES ± 0,1

** : AREA TO ACCESS ANGLE ADJUSTMENT

*** : SCREW THREAD INSERT

Min./Max. operating pressure: **0,4 / 0,6 MPa**

Operating temperature: **5° ÷ 45° C**

Opening angle: **adjustable**

Without arm

Electronic sensor with M12 swivel connector, from 0° to 90°, in steps of 10°

Supply voltage: 10 ÷ 30 Vdc

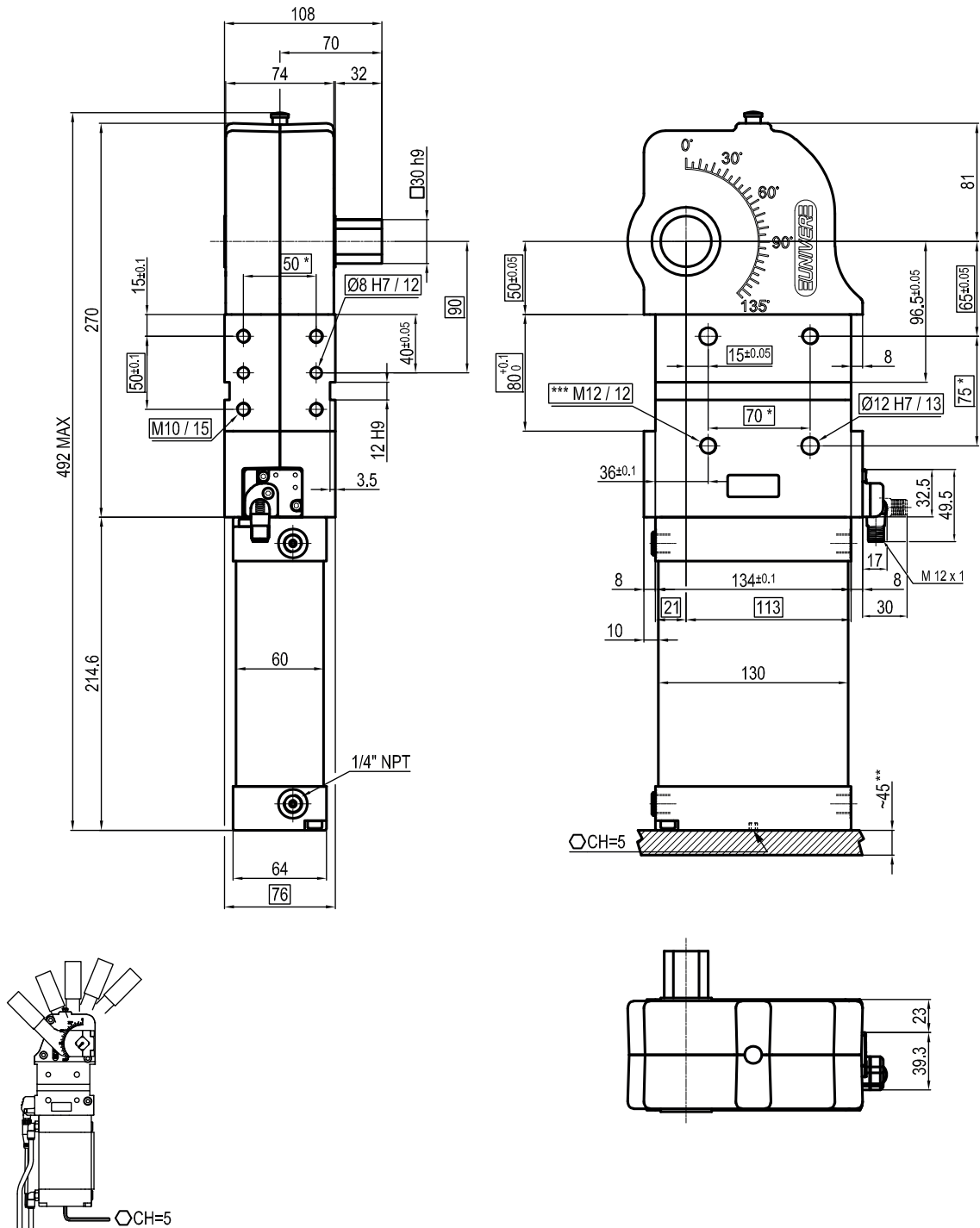
IP code: **IP 65**

Pneumatic ports on both sides

Subject to technical modifications without notice

Rev. 01 26.01.22

UCNP80NRKNO



Bore Ø	Holding moment	Clamping moment (0,5 MPa)	Weight (clamping arm not included)
80 mm	4000 Nm	1100 Nm	8,6 Kg

* : TOLERANCE BETWEEN DOWELS $\pm 0,02$, BETWEEN SCREW HOLES $\pm 0,1$

** : AREA TO ACCESS ANGLE ADJUSTMENT

*** : SCREW THREAD INSERT

Min./Max. operating pressure: **0,4 / 0,6 MPa**

Operating temperature: **5° ÷ 45° C**

Opening angle: **adjustable**

Without arm

Electronic sensor with M12 swivel connector, from 0° to 90°, in steps of 10°

Supply voltage: 10 ÷ 30 Vdc

IP code: **IP 65**

Pneumatic ports on both sides

Subject to technical modifications without notice

Rev. 01 26.01.22