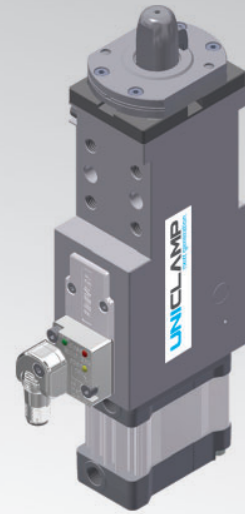


USR40

UNICLAMP Pneumatic compact pin clamp



U	S	R	4	0	J	3	0	S	-	-	-	K	0
1	2	3	4	5	6	7	8	9	10				

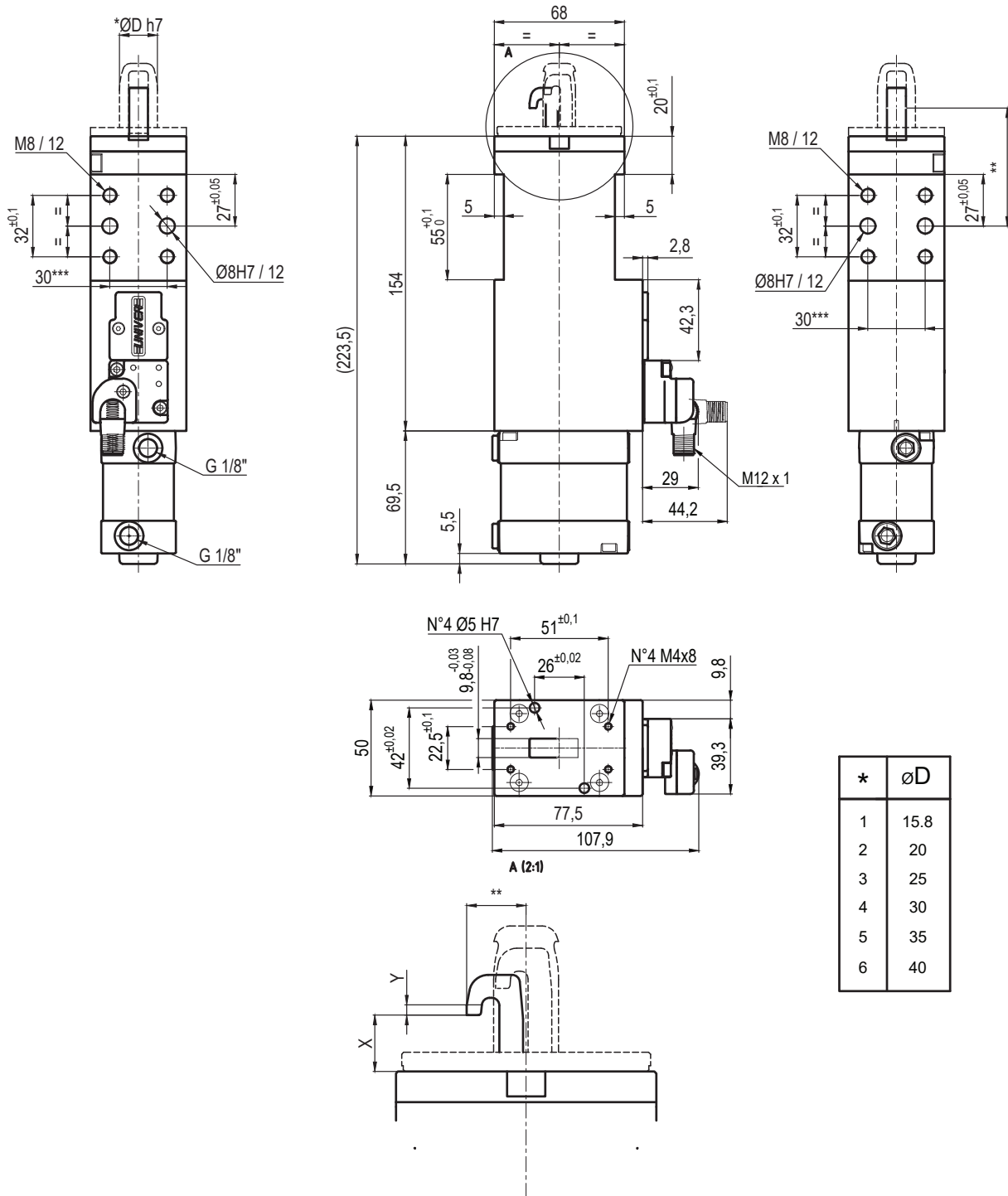
1 Series	2 Version	3 Size
US = UNICLAMP Pin clamp	R = Pneumatic-Compact	40 = Ø 40 mm

4 Model	5 Pin diameter	6 Locating pin
J = Standard with compensation R = With compensation and locking/unlocking device F= Without compensation	1 <= Ø 19 mm 2 = Ø 20 mm 3 = Ø 25 mm 4 = Ø 30 mm 5 = Ø 35 mm 6 = Ø 40 mm For pin Ø outside the mentioned range, please contact our Sales Dept.	0 = No locating pin 1 = Locating pin included

7 Hook	8 Progressive numbering	9 Sensor
S = Single hook D = Double hook - Standard without compensation(F) * *for version with compensation please contact our Sales Dept.	Progressive numbers for special products are assigned by the Sales.	K = Electronic sensor PNP (optical) (DF-K) N = No sensor (with protection plate)

10 Product revision
Assigned by UNIVER

USR40J_0S__K0



*	$\varnothing D$
1	15.8
2	20
3	25
4	30
5	35
6	40

Bore \varnothing	Clamping force	Weight (reference plate, pin and hook not included)
40 mm	900 N	1,9 Kg

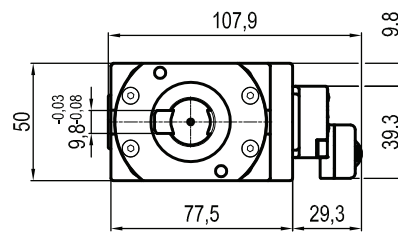
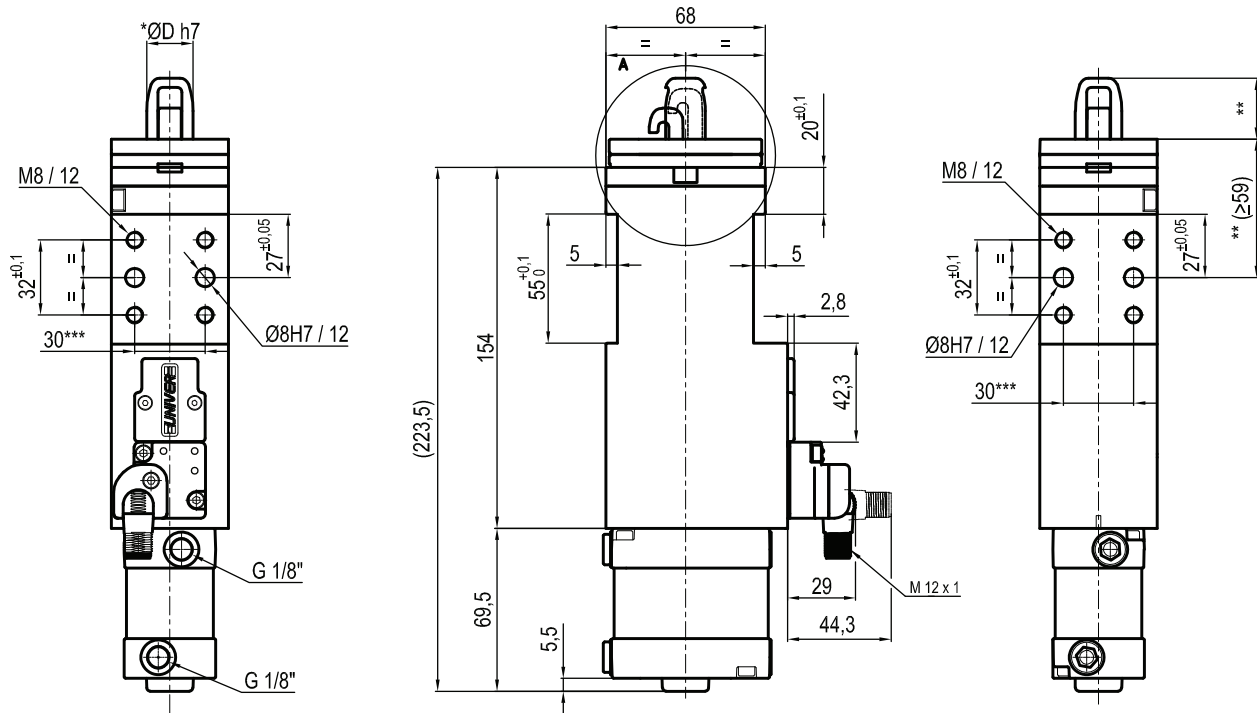
** : MISSING DIMENSION TO BE DEFINED ACCORDING TO CUSTOMER SPECIFICATIONS
 *** : TOLERANCE BETWEEN DOWEL HOLES $\pm 0,02$, BETWEEN SCREW HOLES $\pm 0,1$

X= metal sheet
 Y= clamping range (X+3 mm Max)

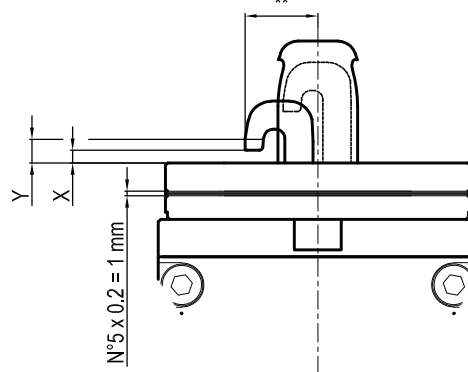
Subject to technical modifications without notice

Min./Max. operating pressure: **0,4 / 0,6 MPa**
 Operating temperature: **5° ÷ 45° C**
 Electronic sensor with M12 swivel connector,
 from 0° to 90°, in steps of 10°
 Supply voltage: 10 ÷ 30 Vdc
 IP code: **IP 65**

USR40J_1S__K0



A (2:1)



*	ØD
1	15.8
2	20
3	25
4	30
5	35
6	40

Bore Ø	Clamping force	Weight (reference plate, pin and hook not included)
40 mm	900 N	1,9 Kg

Min./Max. operating pressure: **0,4 / 0,6 MPa**
 Operating temperature: **5° ÷ 45° C**
 Electronic sensor with M12 swivel connector, from 0° to 90°, in steps of 10°
 Supply voltage: 10 ÷ 30 Vdc
 IP code: **IP 65**

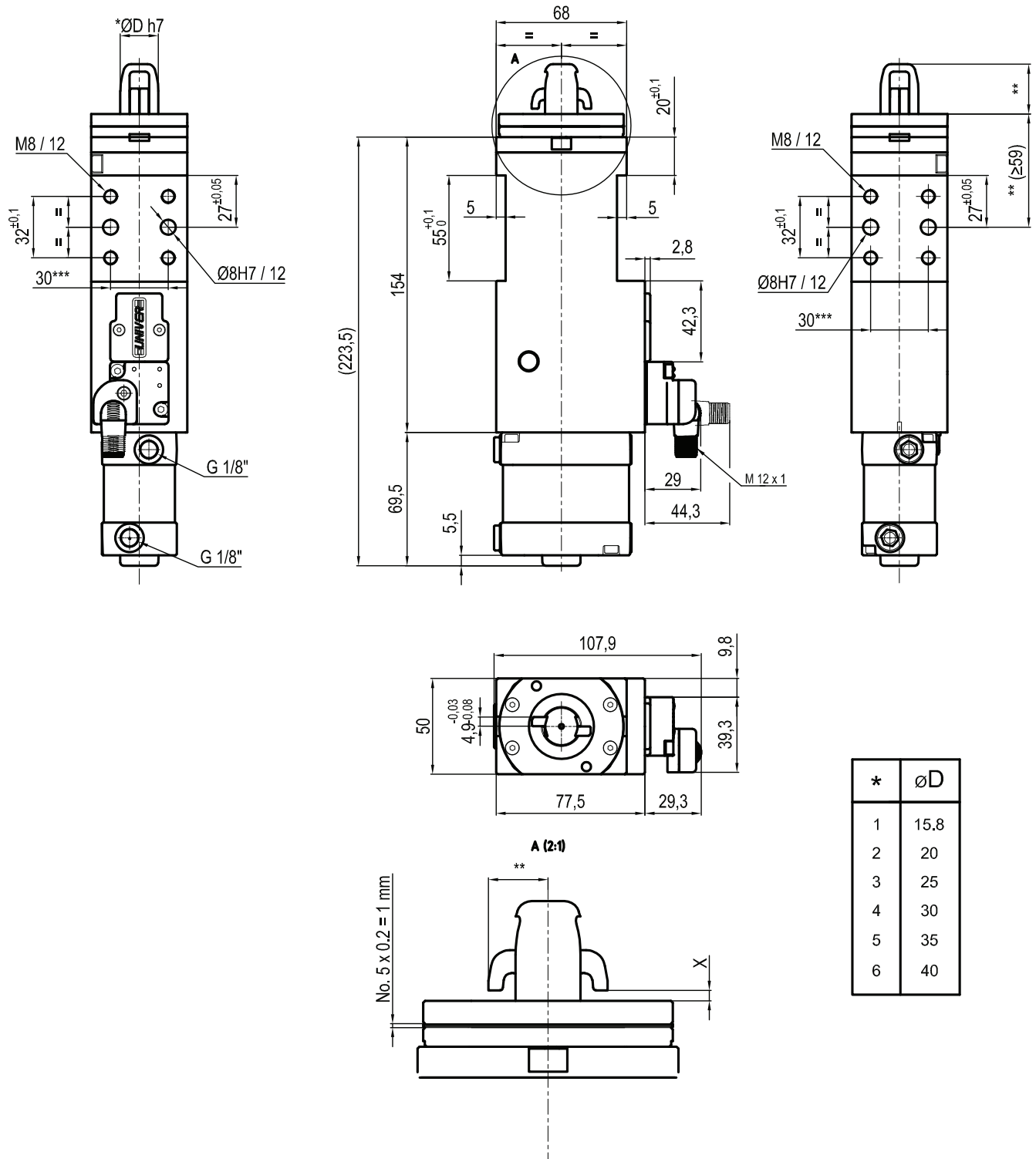
** : MISSING DIMENSION TO BE DEFINED ACCORDING TO CUSTOMER SPECIFICATIONS
 *** : TOLERANCE BETWEEN DOWEL HOLES ± 0,02, BETWEEN SCREW HOLES ± 0,1

X= metal sheet

Y= clamping range (X+3 mm Max)

Subject to technical modifications without notice

USR40F_1D__K0



*	ØD
1	15,8
2	20
3	25
4	30
5	35
6	40

Bore Ø	Clamping force	Weight (reference plate, pin and hook not included)
40 mm	900 N	2,1 Kg

Min./Max. operating pressure: **0,4 / 0,6 MPa**
 Operating temperature: **5° ÷ 45° C**
 Electronic sensor with M12 swivel connector, from 0° to 90°, in steps of 10°
 Supply voltage: 10 ÷ 30 Vdc
 IP code: **IP 65**

** : MISSING DIMENSION TO BE DEFINED ACCORDING TO CUSTOMER SPECIFICATIONS
 *** : TOLERANCE BETWEEN DOWEL HOLES $\pm 0,02$, BETWEEN SCREW HOLES $\pm 0,1$
 X= metal sheet

Subject to technical modifications without notice