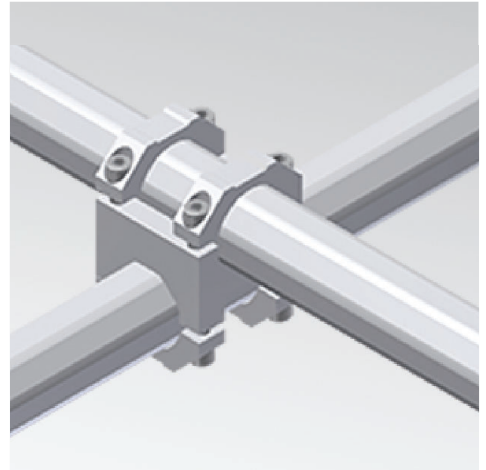
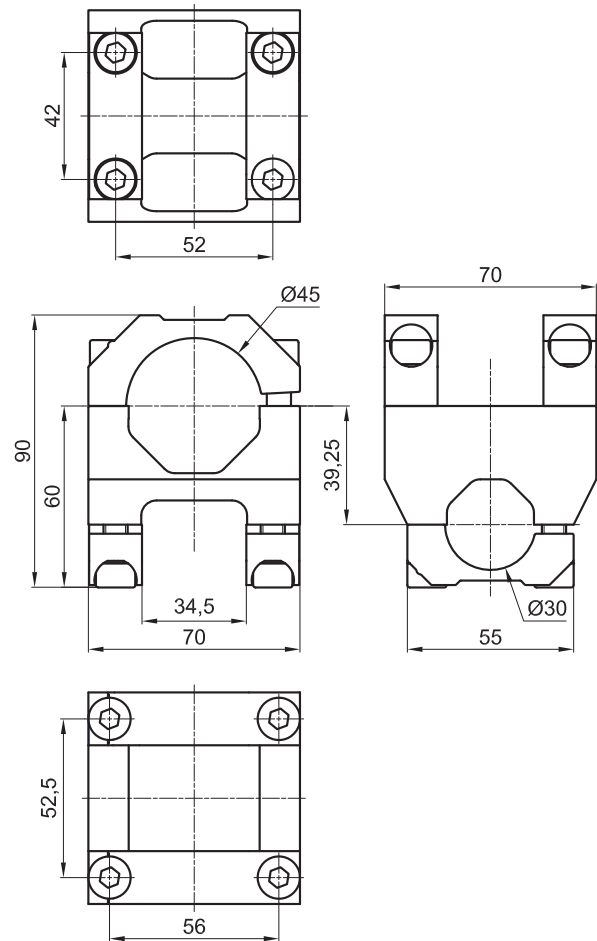
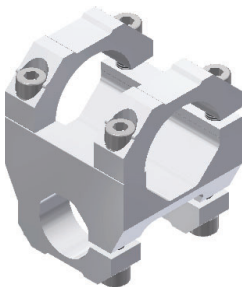


Joints

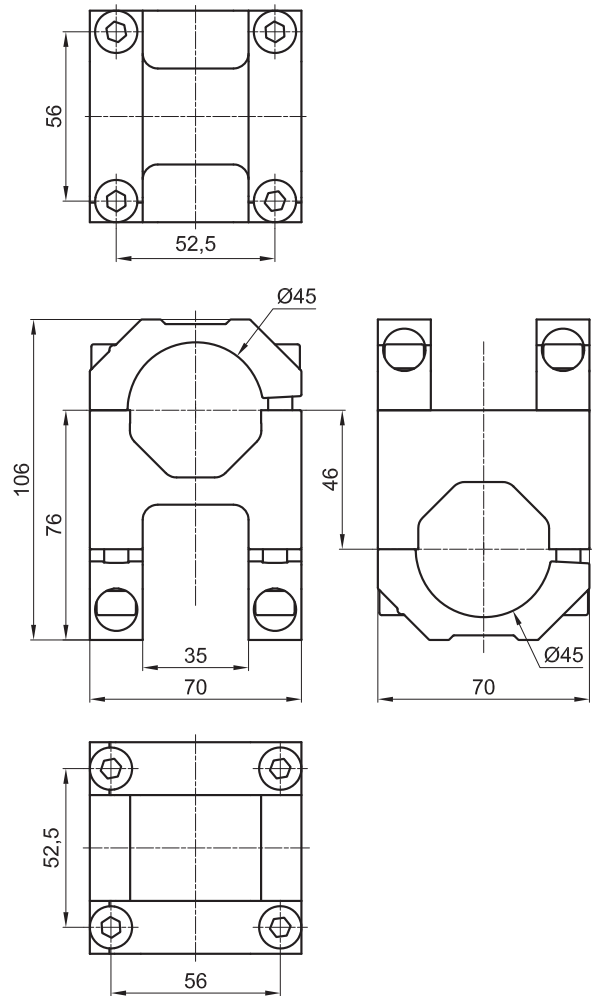


GR8HD4530V Joint 45-30



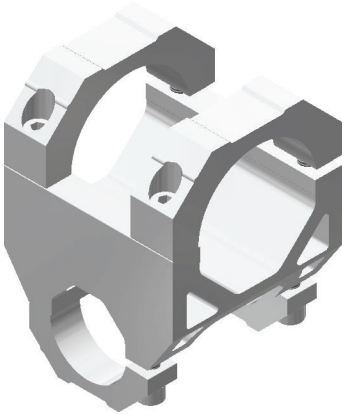
	Tightening torque	Screw
GR8HD4530V	25 Nm	M8x25
Material:	Aluminium	
Weight:	0,5 kg	
Max static load:	290 Nm	

GR8HD4545V Joint 45-45

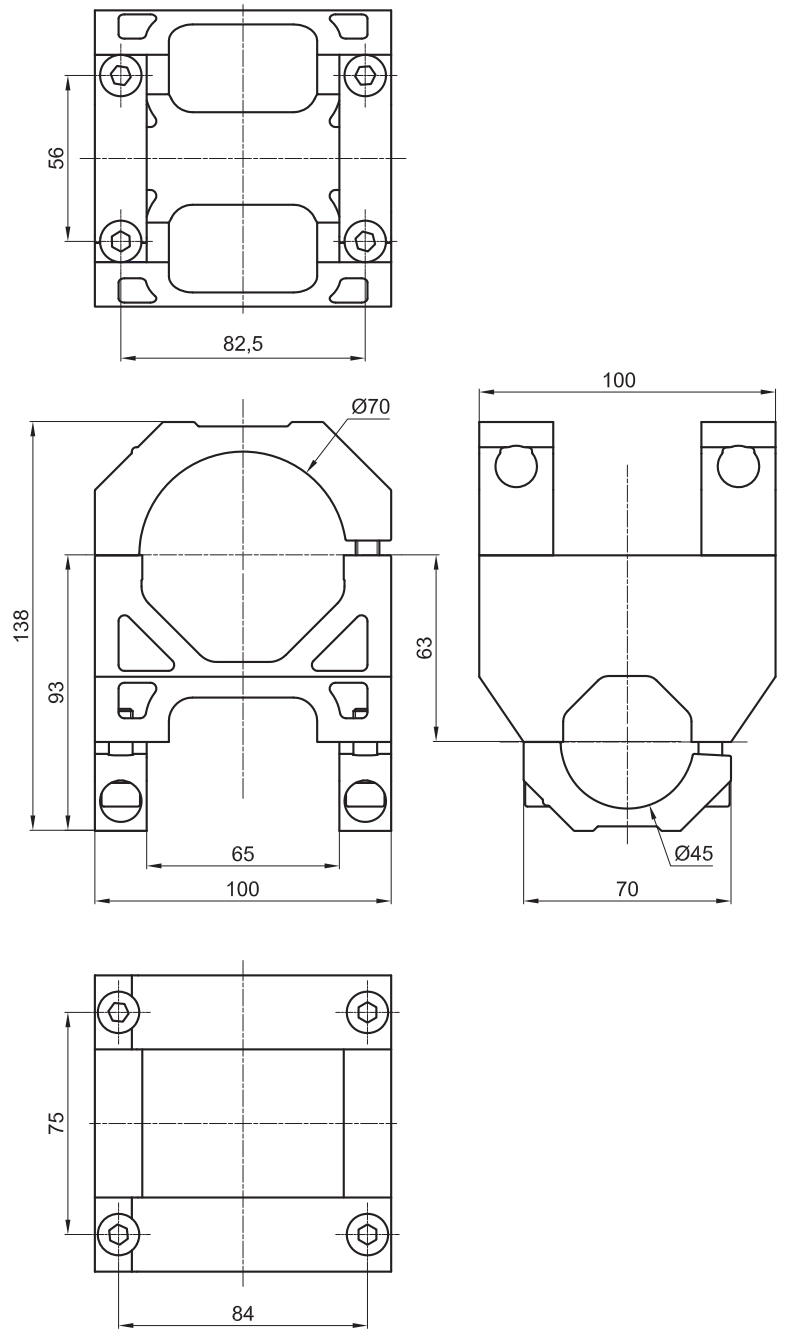


	Tightening torque	Screw
GR8HD4545V	25 Nm	M8x25
Material:	Aluminium	
Weight:	0,54 kg	
Max static load:	480 Nm	

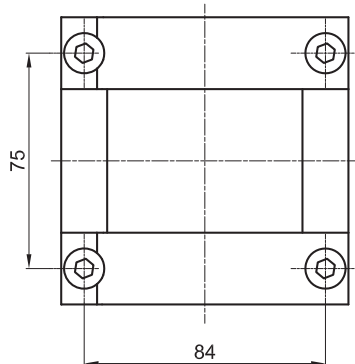
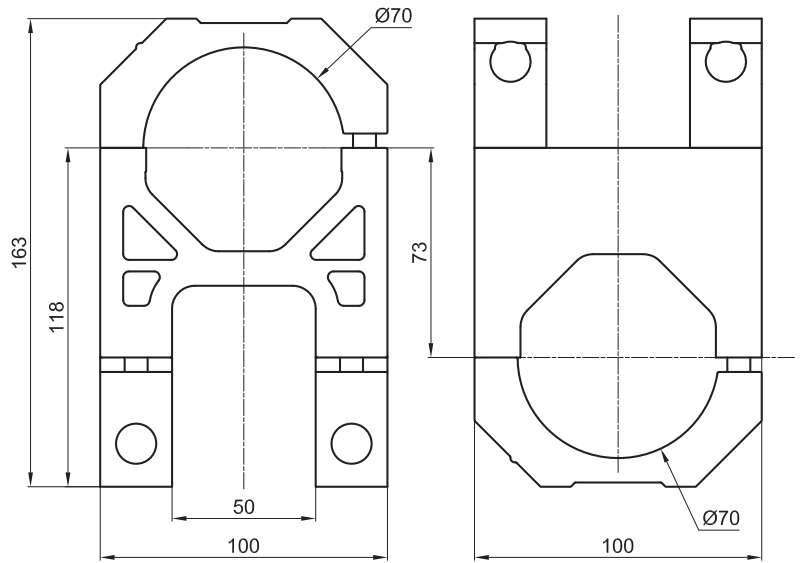
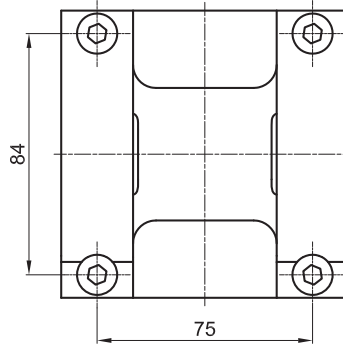
GR8HD7045 Joint 70-45



	Tightening torque	Screw
GR8HD7045	25 Nm	M8x25
Material:	Aluminium	
Weight:	1,05 kg	
Max static load:	480 Nm	



GR8HD7070 Joint 70-70



	Tightening torque	Screw
GR8HD7070	25 Nm	M8x25
Material:	Aluminium	
Weight:	1,2 kg	
Max static load:	800 Nm	